

D400 composite cover system

Product description

Modular D400 cover system designed to simplify installation, reduce risk, and improve site access. Comprises lightweight composite D400 access covers, installed within a modular steel frame with floating beam supports.

Frame details

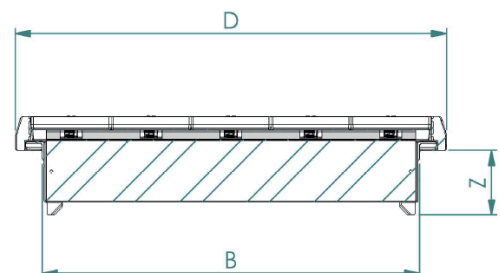
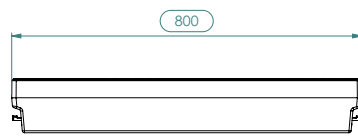
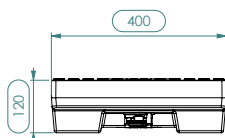
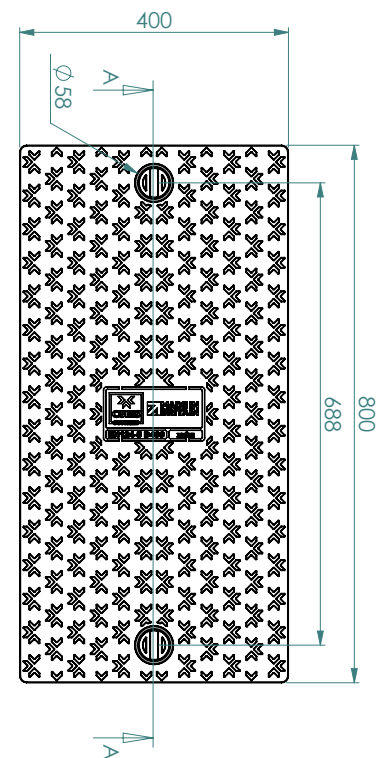
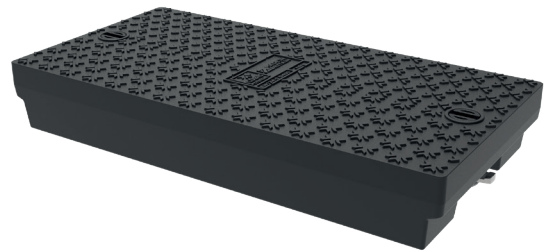
- 1900x1500mm - 6300x3100 C/O (100mm total seating)
- Frame length increases in 800mm increments (driven by cover dimensions)
- Frame span increases in 400mm increments (driven by cover dimensions)

Cover details

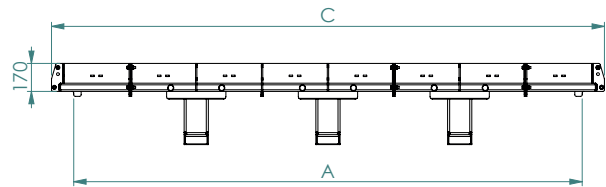
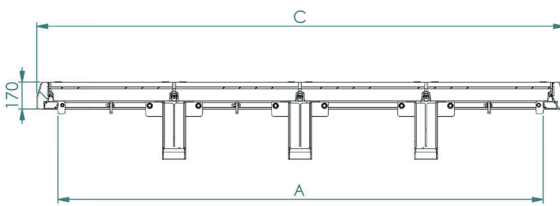
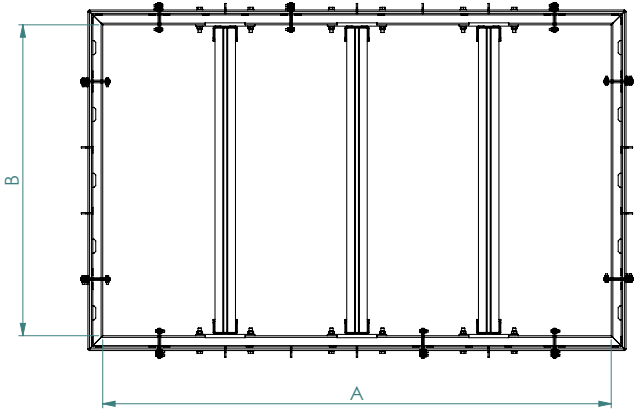
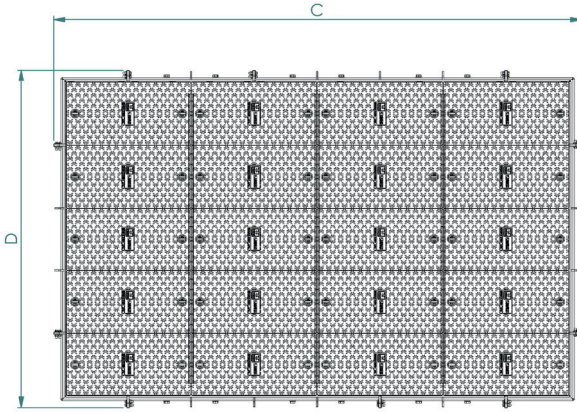
- 800x400mm per cover
- 120mm depth
- 25kg

Key details

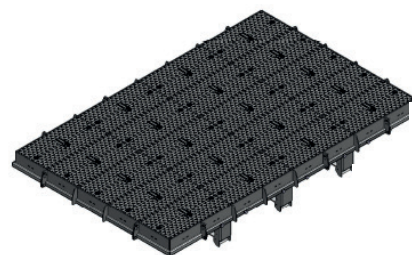
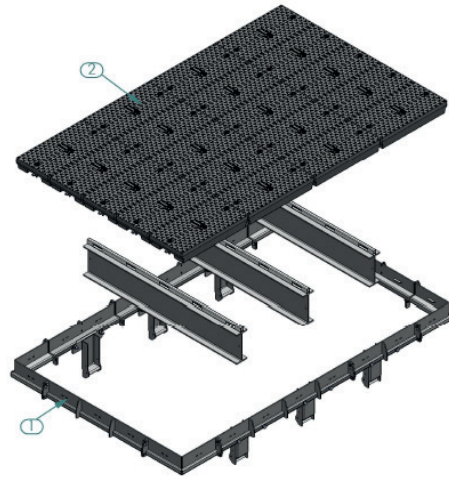
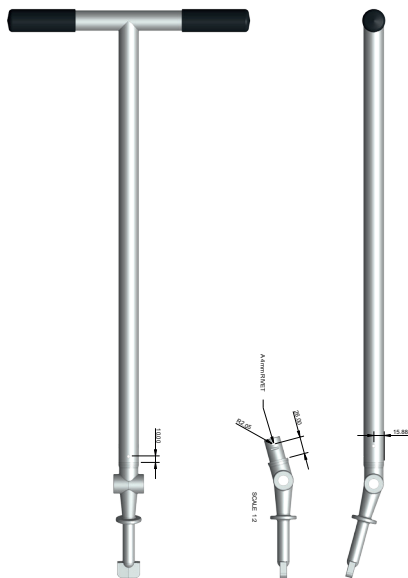
- Enables safe manual handling at just 25kg per cover
- Multispan system maximises clear opening spaces
- D400 strength that doesn't need to be hinged or gas-assisted to lift
- Manufactured from Glass Reinforced Polyester Resin (GRP) gives an unparalleled strength-to-weight ratio
- Gritted anti-slip surface is ideal for busy trafficked and pedestrian areas
- Cubis composite covers are non-corrosive, UV resistant and highly secure, guaranteeing you peace of mind in protecting your investment for years to come
- Combined lifting and locking system via simple ¼ turn mechanism



D400 composite cover system



SECTION A-A





D400 composite cover system

Dimensions (mm)					Covers	Beams			Total Weight of Frame & Cover (kg)
Chamber Reference	Internal Length (A)	Internal Width (B)	External Length (C)	External Width (D)	Quantity	No. of Beams	Beam Depth Below Frame (Z)	Individual Beam Weight (kg)	
1500x1900	1488	1888	1758	2158	10	1	323	75.6	487
1500x2700	1488	2688	1758	2958	14	1	369.5	132.6	681
2300x1500	2288	1488	2558	1758	12	2	319	46.2	585
2300x1900	2288	1888	2558	2158	15	2	323	75.6	736
2300x2300	2288	2288	2558	2558	18	2	369.5	112.2	909
2300x2700	2288	2688	2558	2958	21	2	369.5	132.6	1042
3100x1500	3088	1488	3358	1758	16	3	319	46.2	782
3100x1900	3088	1888	3358	2158	20	3	323	75.6	988
3100x2300	3088	2288	3358	2558	24	3	369.5	112.2	1227
3100x2700	3088	2688	3358	2958	28	3	369.5	132.6	1406
3100x3100	3088	3088	3358	3358	32	3	416.5	162	1612
3900x1500	3888	1488	4158	1758	20	4	319	46.2	976
3900x1900	3888	1888	4158	2158	25	4	323	75.6	1237
3900x2300	3888	2288	4158	2558	30	4	369.5	112.2	1542
3900x2700	3888	2688	4158	2958	35	4	369.5	132.6	1766
3900x3100	3888	3088	4158	3358	40	4	416.5	162	2028
4700x1500	4688	1488	4958	1758	24	5	319	46.2	1172
4700x1900	4688	1888	4958	2158	30	5	323	75.6	1489
4700x2300	4688	2288	4958	2558	36	5	369.5	112.2	1860
4700x2700	4688	2688	4958	2958	42	5	369.5	132.6	2130
4700x3100	4688	3088	4958	3358	48	5	416.5	162	2446
5500x1500	5488	1488	5758	1758	28	6	319	46.2	1366
5500x1900	5488	1888	5758	2158	35	6	323	75.6	1738
5500x2300	5488	2288	5758	2558	42	6	369.5	112.2	2175
5500x2700	5488	2688	5758	2958	49	6	369.5	132.6	2491
5500x3100	5488	3088	5758	3358	56	6	416.5	162	2863
6300x1500	6288	1488	6558	1758	32	7	319	46.2	1562
6300x1900	6288	1888	6558	2158	40	7	323	75.6	1990
6300x2300	6288	2288	6558	2558	48	7	369.5	112.2	2494
6300x2700	6288	2688	6558	2958	56	7	369.5	132.6	2854
6300x3100	6288	3088	6558	3358	64	7	416.5	162	3281