

Product description

Modular D400 cover system designed to simplify installation, reduce risk, and improve site access. Comprises lightweight composite D400 access covers, installed within a modular steel frame with floating beam supports.

Frame details

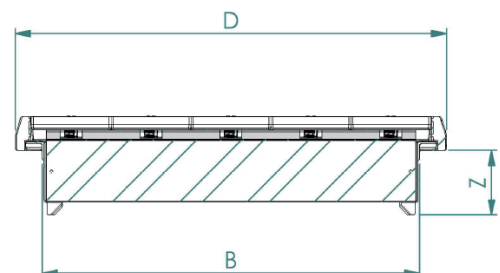
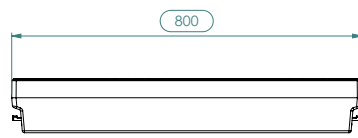
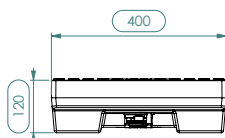
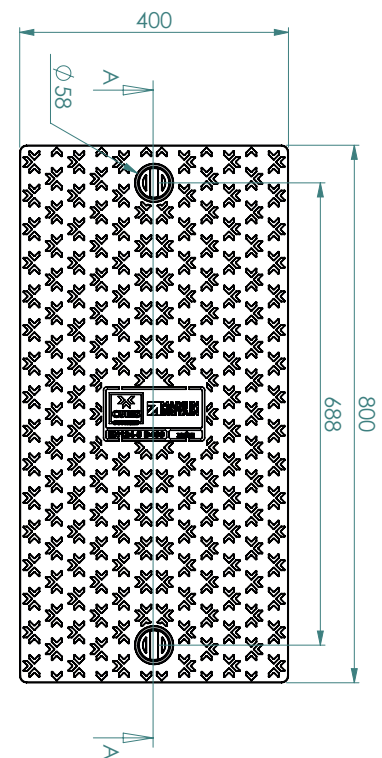
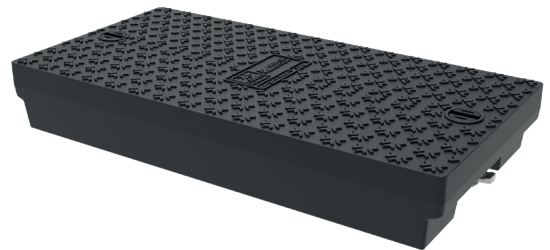
- 1900x1500mm - 6300x3100 C/O (100mm total seating)
- Frame length increases in 800mm increments (driven by cover dimensions)
- Frame span increases in 400mm increments (driven by cover dimensions)

Cover details

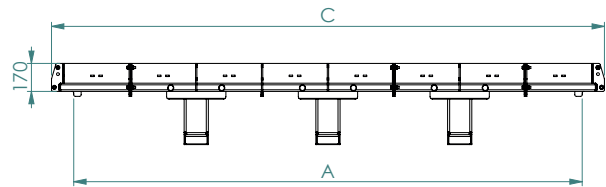
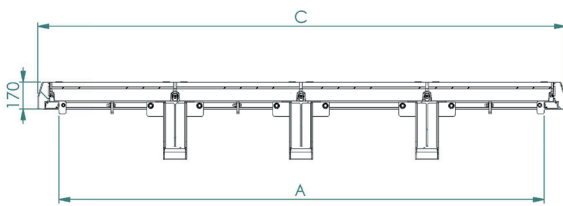
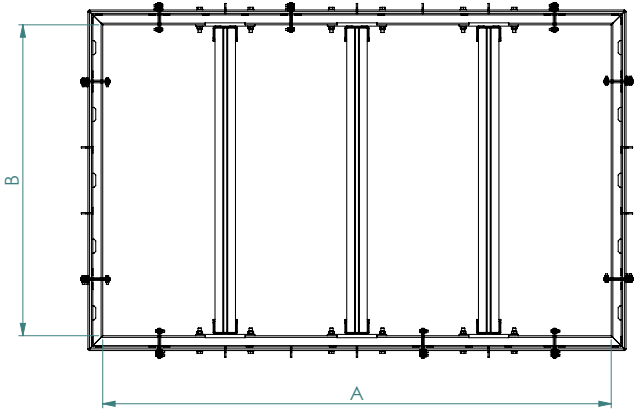
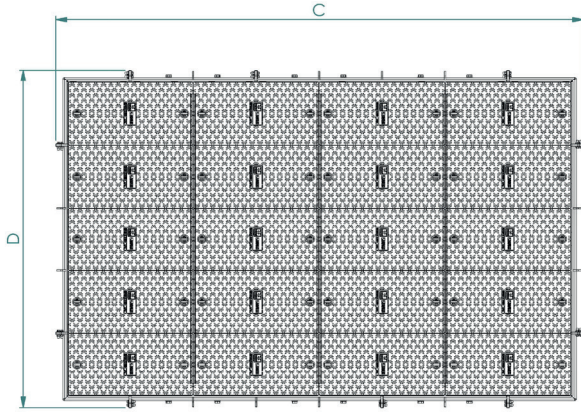
- 800x400mm per cover
- 120mm depth
- 24g

Key details

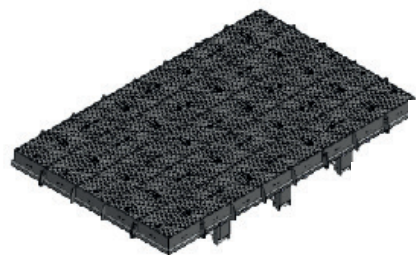
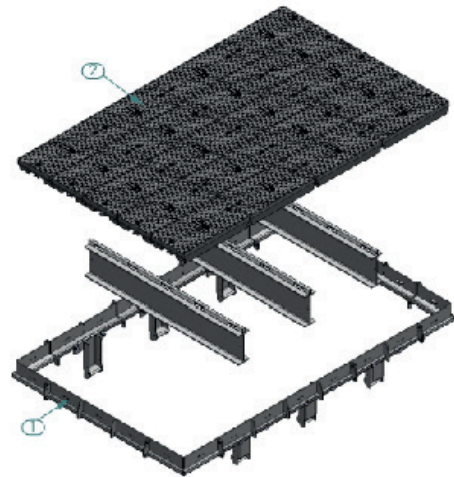
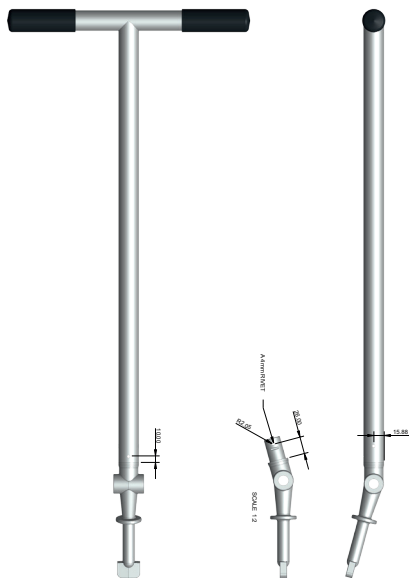
- Enables safe manual handling at just 24kg per cover
- Multispan system maximises clear opening spaces
- D400 strength that doesn't need to be hinged or gas-assisted to lift
- Manufactured from Glass Reinforced Polyester Resin (GRP) gives an unparalleled strength-to-weight ratio
- Gritted anti-slip surface is ideal for busy trafficked and pedestrian areas
- Cubis composite covers are non-corrosive, UV resistant and highly secure, guaranteeing you peace of mind in protecting your investment for years to come
- Combined lifting and locking system via simple ¼ turn mechanism



D400 composite cover system



SECTION A-A





D400 composite cover system

Dimensions (mm)					Covers	Beams			Total Weight of Frame & Cover (kg)
Chamber Reference	Internal Length (A)	Internal Width (B)	External Length (C)	External Width (D)	Quantity	No. of Beams	Beam Depth Below Frame (Z)	Individual Beam Weight (kg)	
1500x1900	1488	1888	1758	2158	10	1	323	75.6	477
1500x2700	1488	2688	1758	2958	14	1	369.5	132.6	667
2300x1500	2288	1488	2558	1758	12	2	319	46.2	573
2300x1900	2288	1888	2558	2158	15	2	323	75.6	721
2300x2300	2288	2288	2558	2558	18	2	369.5	112.2	891
2300x2700	2288	2688	2558	2958	21	2	369.5	132.6	1021
3100x1500	3088	1488	3358	1758	16	3	319	46.2	766
3100x1900	3088	1888	3358	2158	20	3	323	75.6	968
3100x2300	3088	2288	3358	2558	24	3	369.5	112.2	1203
3100x2700	3088	2688	3358	2958	28	3	369.5	132.6	1378
3100x3100	3088	3088	3358	3358	32	3	416.5	162	1580
3900x1500	3888	1488	4158	1758	20	4	319	46.2	956
3900x1900	3888	1888	4158	2158	25	4	323	75.6	1212
3900x2300	3888	2288	4158	2558	30	4	369.5	112.2	1512
3900x2700	3888	2688	4158	2958	35	4	369.5	132.6	1731
3900x3100	3888	3088	4158	3358	40	4	416.5	162	1988
4700x1500	4688	1488	4958	1758	24	5	319	46.2	1148
4700x1900	4688	1888	4958	2158	30	5	323	75.6	1459
4700x2300	4688	2288	4958	2558	36	5	369.5	112.2	1824
4700x2700	4688	2688	4958	2958	42	5	369.5	132.6	2088
4700x3100	4688	3088	4958	3358	48	5	416.5	162	2418
5500x1500	5488	1488	5758	1758	28	6	319	46.2	1338
5500x1900	5488	1888	5758	2158	35	6	323	75.6	1703
5500x2300	5488	2288	5758	2558	42	6	369.5	112.2	2133
5500x2700	5488	2688	5758	2958	49	6	369.5	132.6	2442
5500x3100	5488	3088	5758	3358	56	6	416.5	162	2807
6300x1500	6288	1488	6558	1758	32	7	319	46.2	1530
6300x1900	6288	1888	6558	2158	40	7	323	75.6	1950
6300x2300	6288	2288	6558	2558	48	7	369.5	112.2	2446
6300x2700	6288	2688	6558	2958	56	7	369.5	132.6	2798
6300x3100	6288	3088	6558	3358	64	7	416.5	162	3217