

# FLEXI Pit

## Drainage Catch Pit



### Product Description

Cubis' FLEXI Pit Solution provides a modern alternative to concrete for track side drainage. FLEXI Pits are formed utilising STAKKAbox™ ULTIMA rings for strength, flexibility and weight reduction. The catchpits have an adjustable ballast board which allows changes in invert level to be made on site.

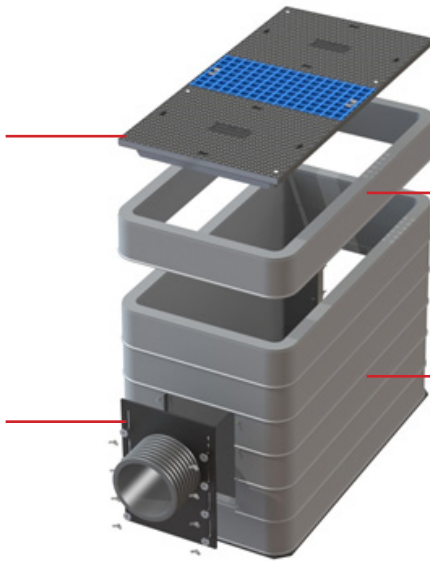
### Product Details

A range of cover options available

Additional riser sections available to build up to the required height

Supplied as 900mm base unit as standard

Backfill barrier available in a range of sizes to fit pipe inlets. Holes can be cut to suit options of Smooth Wall or Twin Wall pipe.



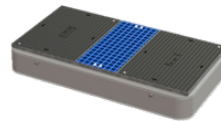
### Product Options

#### Chamber Size Options



Chamber Length	Chamber Width
1160mm	380mm
1200mm	600mm
1200mm	1200mm
1310mm	850mm

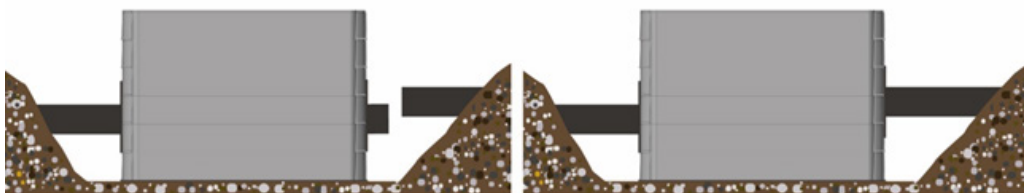
#### Cover Options



Cover Type
Full Composite (A15)
Full Composite (B125)
Full Blue Grate
Part Grate / Part Cover

### Pipe Adjustment

If Pipe inverts are at different levels, half frames or cutting through concrete is required using a standard concrete arrangement. With the FLEXI Pit, different levels can be reached by moving the ballast board up or down



# FLEXI Pit

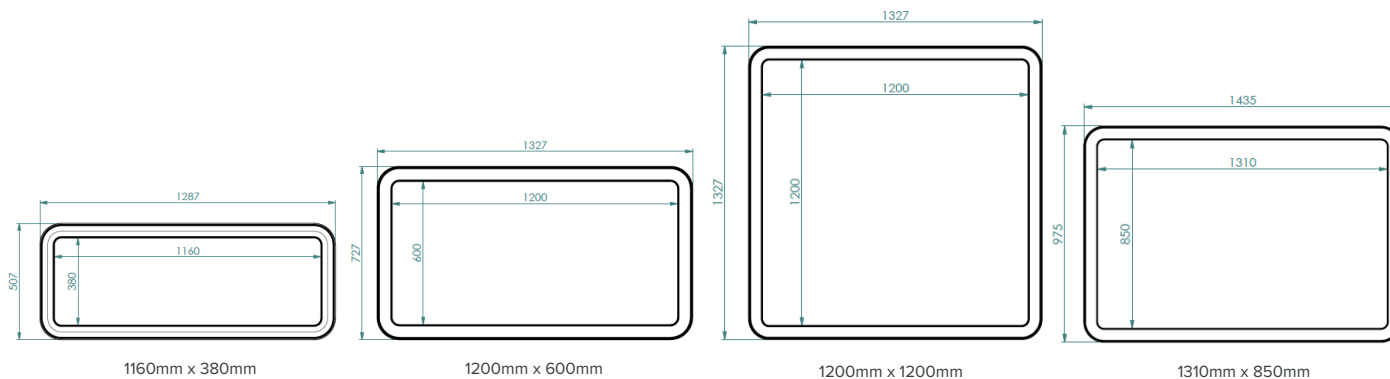
## Drainage Catch Pit



### Materials Properties

Material Profile	Glass-reinforced plastic (GRP)	Grey
Tensile Strength	ISO 527-4	62 MPa
Flexural Strength	ISO 14125	142 MPa
Flexural Modulus	ISO 14125	9.6 GPa
Impact Strength	ISO 179	50 kJ/m <sup>2</sup>
Heat Distortion Temperature Range	ISO 75-2	>200 °C
Density	ISO 1183	1.7 g/cm <sup>3</sup>
Water Absorption	ISO 62	≤0.5%
Volume Resistivity	IEC 60093	1.00E12 ohm.cm
Fire Performance	UL 94	HB to V0
Limited Oxygen Index	ISO 4589-2	27%

### Technical Drawings



Scan for access to technical documents library

FLEXI Pit V.03 02/06/2020